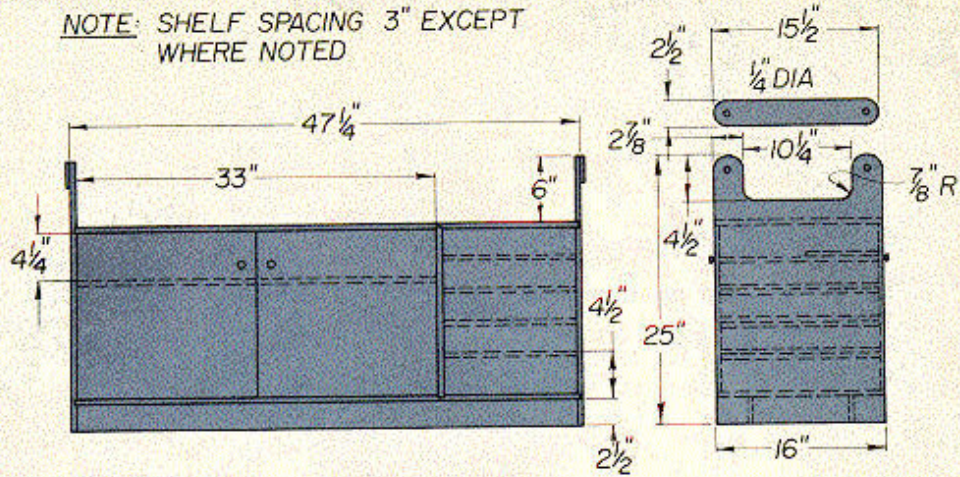


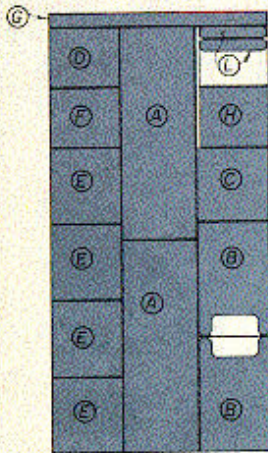
Under MARK V Storage

"Under the Mark V" Cabinet, cont

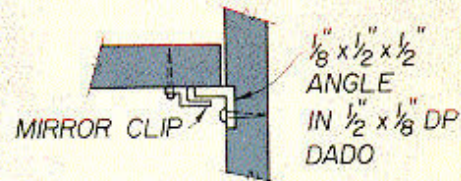
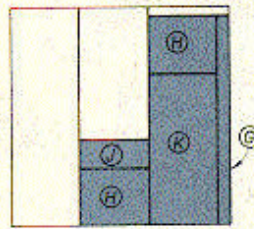
NOTE: SHELF SPACING 3" EXCEPT WHERE NOTED



CABINET LAYOUT



CUTTING LAYOUT



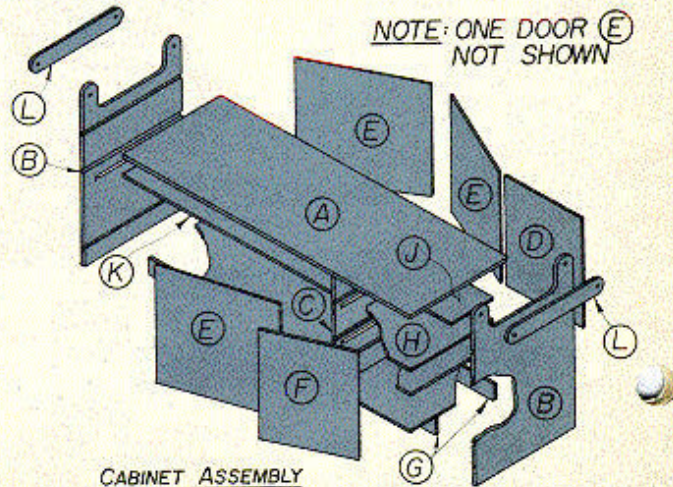
SHELF MOUNTING DETAIL

Bill of Materials (finished dimensions in inches)

A	Top and Bottom (2)	1/2 x 16 x 46-1/2
B	Ends (2)	1/2 x 16 x 25
C	Partition	1/2 x 16 x 15-3/4
D	Back	1/2 x 15-1/2 x 12-3/4
E	Doors (4)	1/2 x 15-1/2 x 16-1/2
F	Door	1/2 x 15-1/2 x 12-3/4
G	Braces (2)	1/2 x 2-1/2 x 46-1/4
H	Shelves (3)	1/2 x 14-1/2 x 12-3/4
J	Shelf	1/2 x 12-3/4 x 7-3/4
K	Shelf	1/2 x 14-1/2 x 33
L	Clamp bars (2)	1/2 x 2-1/2 x 15-1/2

Hardware

- 10 3" T-hinges with screws
- 13 1/8" x 1/2" x 1/2" Aluminum angle
- 30 #8 x 1/2" Panhead sheet metal screws
- 5 Knobs
- 42 #6 x 1-1/2" Utility screws
- 12 "Mirror" retainer clips



CABINET ASSEMBLY